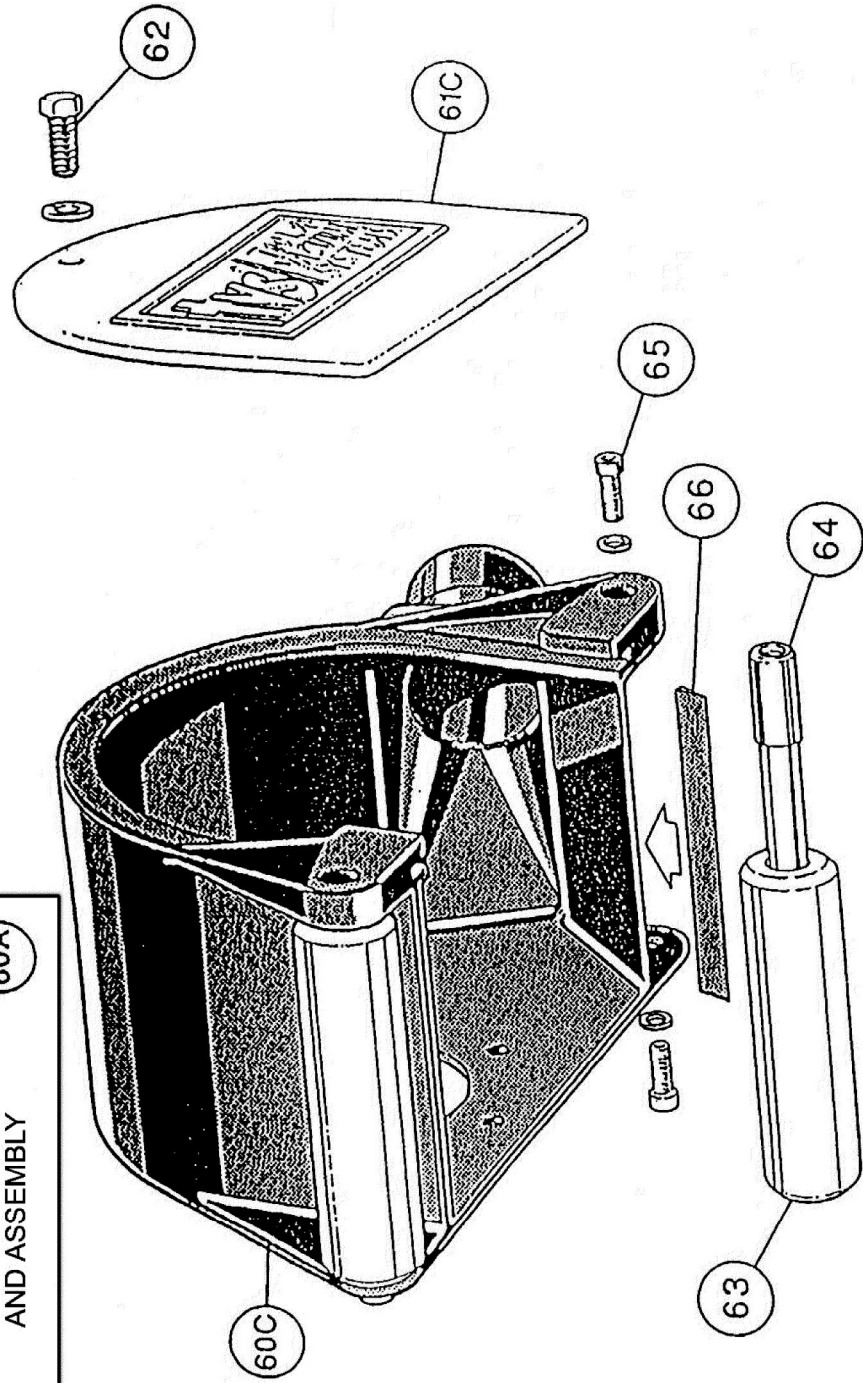


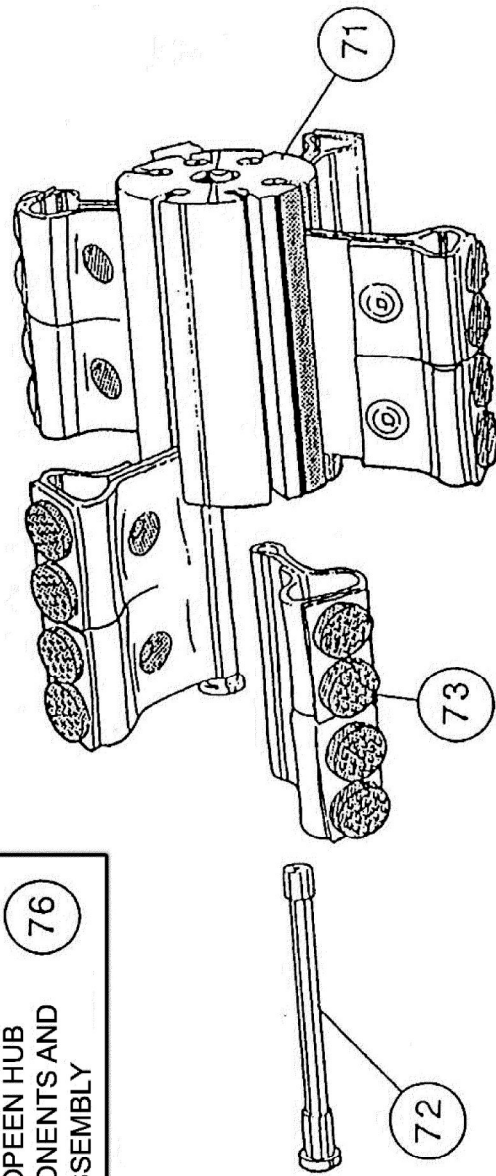
SHROUD COMPONENTS  
AND ASSEMBLY

60A



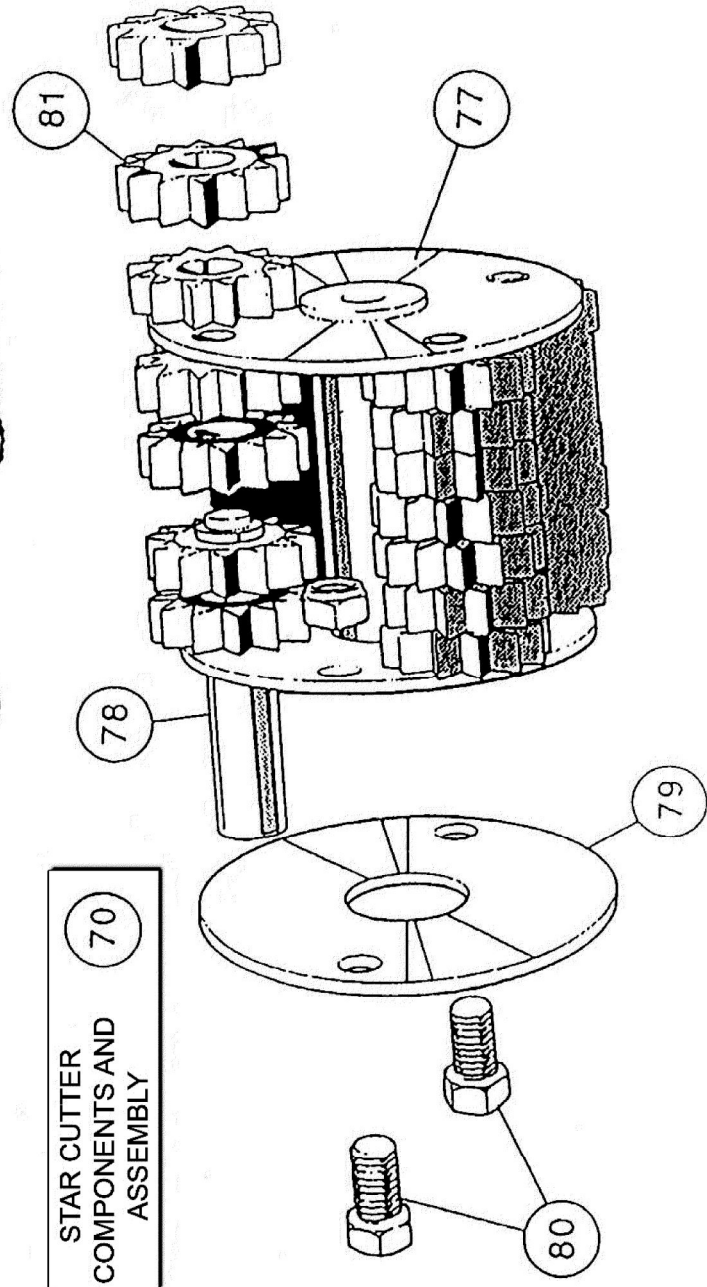
ROTOPEEN HUB  
COMPONENTS AND  
ASSEMBLY

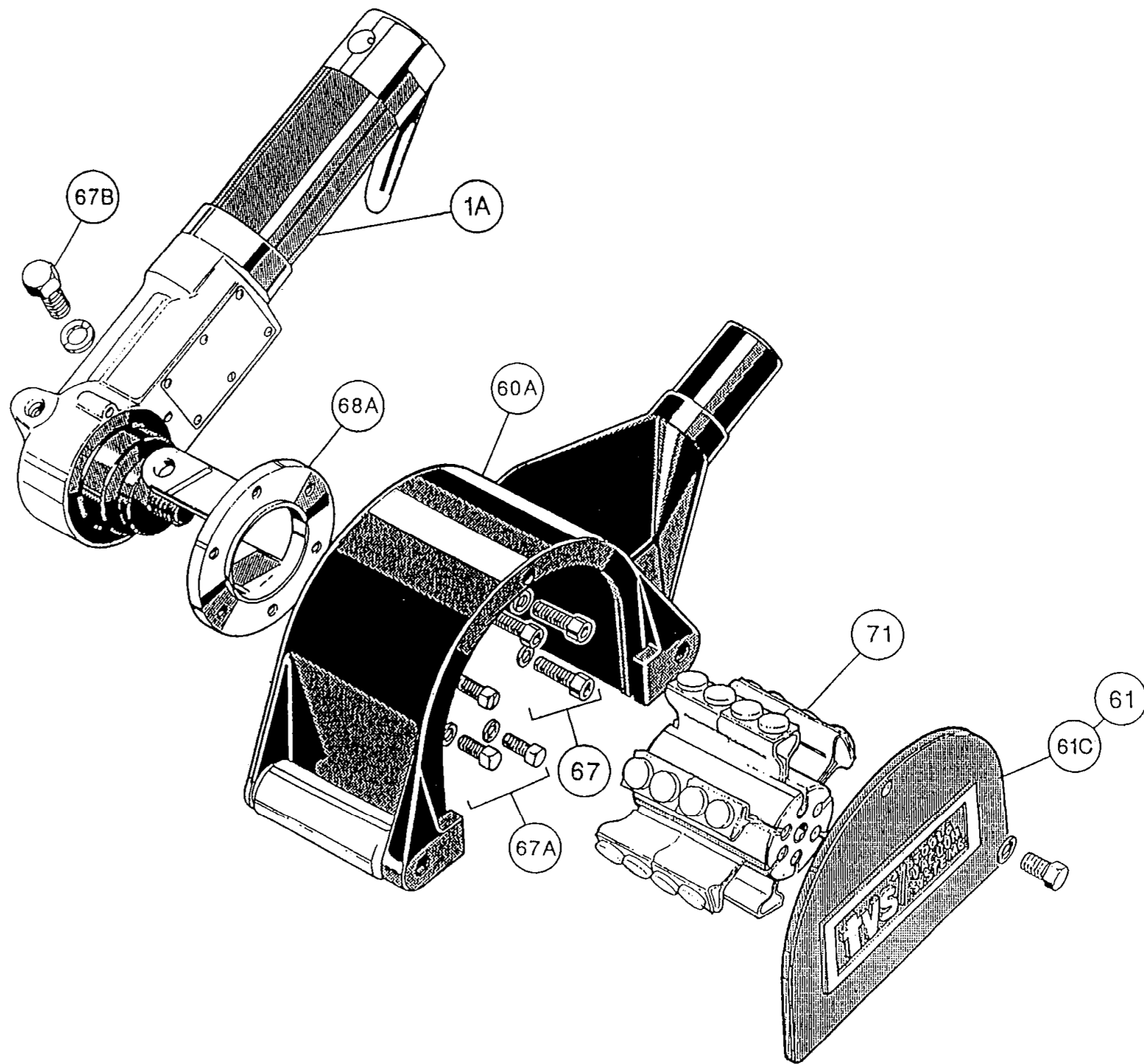
76



STAR CUTTER  
COMPONENTS AND  
ASSEMBLY

70





Item	Part No	Description	Item	Part No	Description
1A	314.ARA2	Air Motor	68A	312.D219	Collar (Air motor)
	312.1510	Electric Motor 110v		312.T200 A	Collar (Electric motor)
	312.1520	Electric Motor 220v		312.2335A	Spacer
			69		<i>Not Assigned</i>
2-59		<i>Not Assigned</i>	70	438.0209	Star Cutter Hub assembly 2"includes pins
				438.0409	Star Cutter Hub assembly 4"includes pins
60A	437.0205	Shroud S/Assembly 2"	71	428.0205	Rotopeen Hub 2" includes pins
	437.0405	Shroud S/Assembly 4"		438.0405	Rotopeen Hub 4" includes pins
60C	312.Q210	Shroud body 2"	72	312.D213	Pin set (Flap retaining) 2"
	312.Q400	Shroud body 4"		312.D413	Pin set (Flap retaining) 4"
61C	312.Q201	Shroud end plate	73	312.MRPC	Rotopeen flap (Type C)
62	508.D216	Socket screw set (End Plate to Shroud)		312.MRPD	Rotopeen flap (Type D)
63	312.G200	Roller 2"	74-75		<i>Not Assigned</i>
	312.G400	Roller 4"	76	438.0205	Rotopeen Hub assembly 2"
64	312.D201	Axle set 2"		438.0405	Rotopeen Hub assembly 4"
	312.D401	Axle set 4"	77	438.0205	Star Cutter Hub 2"
65	Not sold separately	M5 Socket screw set (Rollers) - (Part of axle sets)		438.0405	Star Cutter Hub 4"
66	312.D215	2" Gasket PPT shroud (skirt)	78	312.D210	Axle (Cutter) 2"
	312.D415	4" Gasket PPT shroud (skirt)		312.D410	Axle (Cutter) 4"
67	508.D218	Socket screw (Shroud to Collar)	79	312.D211	Plate (Axle retaining)
67A	508.0205	Hex screw kit (Shroud to Collar)	80	508.D212	Hex screw set
67B	508.D221	M8 Hex screw kit (Collar to Air & Electric Motor Head)	81	312.S200	Star Cutter
				312.R200	Beam Cutter
67C	508.D230	M5 Fixing kit (Shroud to Collar - Electric Motor)			
67D	508.D235	M6 Fixing kit (Shroud to Collar - Electric Motor)		805.0140	Allen key 1/4" AF

Item	Part No	Description	Item	Part No	Description
1A	314.ARA2	Air Motor	68A	312.D219	Collar (Air motor)
	312.1510	Electric Motor 110v		312.T200A	Collar (Electric motor)
	312.1520	Electric Motor 220v		312.2335A	Spacer
			69		<i>Not Assigned</i>
2-59		<i>Not Assigned</i>	70	438.0209	Star Cutter Hub assembly 2" includes pins
				438.0409	Star Cutter Hub assembly 4" includes pins
60A	437.0205	Shroud S/Assembly 2"	71	428.0205	Rotopeen Hub 2" includes pins
	437.0405	Shroud S/Assembly 4"		438.0405	Rotopeen Hub 4" includes pins
60C	312.Q210	Shroud body 2"	72	312.D213	Pin set (Flap retaining) 2"
	312.Q400	Shroud body 4"		312.D413	Pin set (Flap retaining) 4"
61C	312.Q201	Shroud end plate	73	312.MRPC	Rotopeen flap (Type C)
62	508.D216	Socket screw set (End Plate to Shroud)		312.MRPD	Rotopeen flap (Type D)
63	312.G200	Roller 2"	74-75		<i>Not Assigned</i>
	312.G400	Roller 4"	76	438.0205	Rotopeen Hub assembly 2"
64	312.D201	Axle set 2"		438.0405	Rotopeen Hub assembly 4"
	312.D401	Axle set 4"	77	438.0205	Star Cutter Hub 2"
65	Not sold separately	M5 Socket screw set (Rollers) - (Part of axle sets)		438.0405	Star Cutter Hub 4"
66	312.D215	2" Gasket PPT shroud (skirt)	78	312.D210	Axle (Cutter) 2"
	312.D415	4" Gasket PPT shroud (skirt)		312.D410	Axle (Cutter) 4"
67	508.D218	Socket screw (Shroud to Collar)	79	312.D211	Plate (Axle retaining)
67A	508.0205	Hex screw kit (Shroud to Collar)	80	508.D212	Hex screw set
67B	508.D221	M8 Hex screw kit (Collar to Air & Electric Motor Head)	81	312.S200	Star Cutter
				312.R200	Beam Cutter
67C	508.D230	M5 Fixing kit (Shroud to Collar - Electric Motor)			
67D	508.D235	M6 Fixing kit (Shroud to Collar - Electric Motor)		805.0140	Allen key 1/4" AF